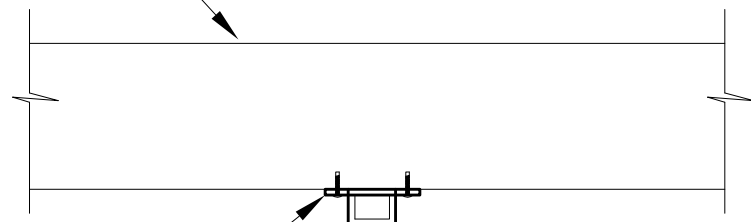


FLOOR JOIST OR BEAM.

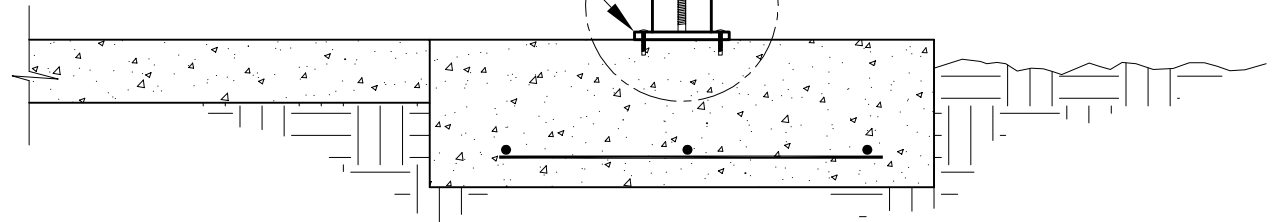
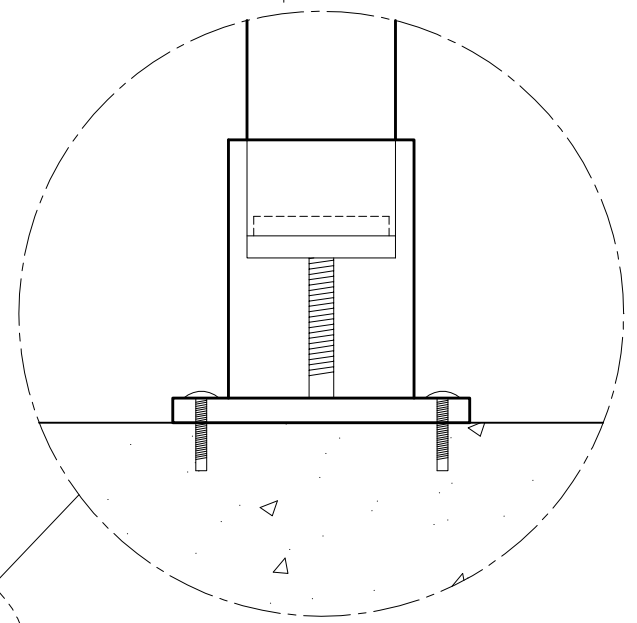


TOP PLATE FASTENED TO STRUCTURE

3" SCHEDULE 40 STEEL

ADJUSTABLE FOR LIFT IF NEEDED


BOTTOM PLATE FASTENED TO FOOTING



CAN BE INSTALLED IN BASEMENTS OR CRAWLSPACES.

SUPPORT POST

DRAWN BY
KS
SCALE
N/A
DATE
4/4/07
DRAWING #
SKI



**ENGINEERED SOLUTIONS**  
of Georgia  
Foundation Repair & Waterproofing